

GSCC-TF30 Adjustable Stainless Steel Draw Latch

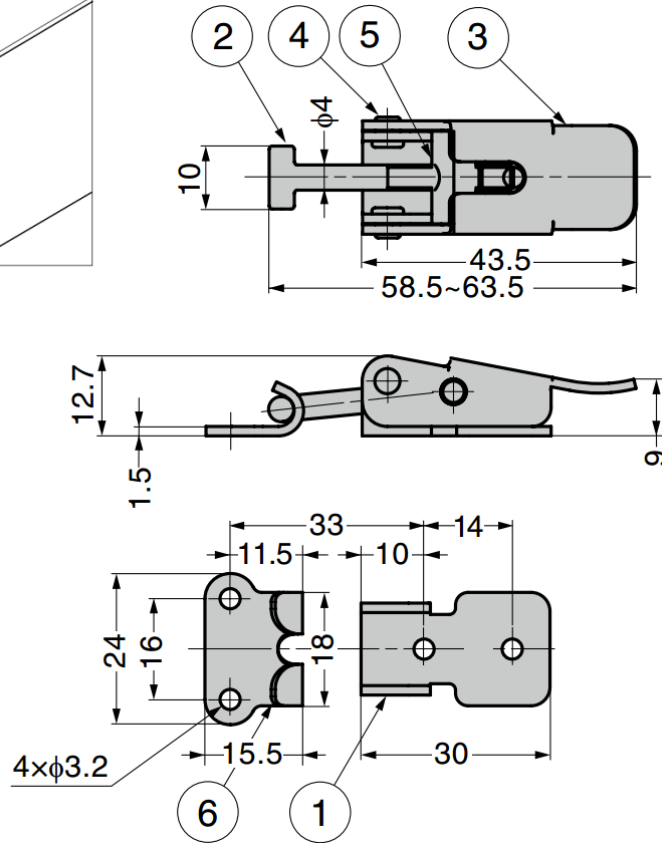
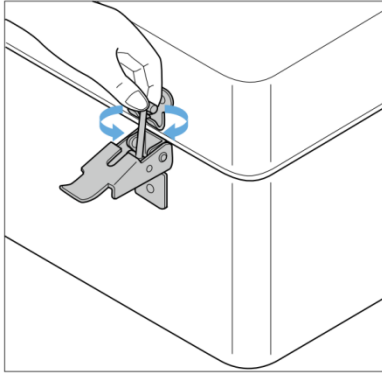
Features

- Clamping margin is adjustable
- Screw type arm also allows for easy clamping margin adjustment after installation

Recommended Screws

- Pan head screw M3

Adjustment



No.	Part Name	Material	Finish
①	Base	Stainless Steel (SUS304)	Barrel Polished
②	Arm	Stainless Steel	-
③	Lever	Stainless Steel (SUS304)	Barrel Polished
④	Shaft	Stainless Steel (SUS303)	Plain
⑤	Adjustment Shaft		
⑥	Counter plate	Stainless Steel (SUS304)	Barrel Polished

Part No.	Load Capacity	
GSCC-TF30	500 N	51 kg